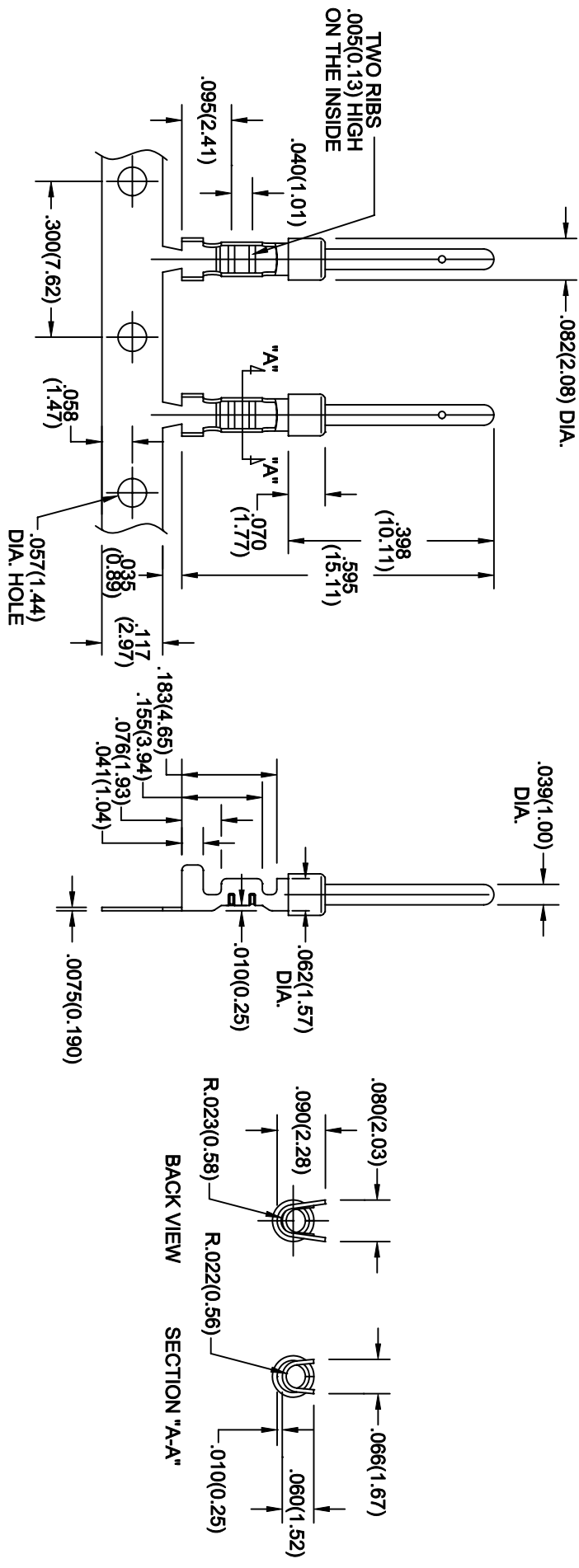


DESCRIPTION: MALE CONTACT STAMPED 20-28 AWG



CONTACTS TO FEED OFF REEL IN THIS DIRECTION

- 170-001-170-001 = G/F ON MATING AREA, 50 u" NICKEL ON WIRE CRIMP
- 170-001-170-002 = 10 u" GOLD OVER 50 u" NICKEL
- 170-001-170-003 = 30 u" GOLD OVER 50 u" NICKEL

MATERIAL: BRASS .0075(0.190)
 GOLD PLATED OUTSIDE .250(6.35) MIN. FROM TOP
 TIN PLATED ON CRIMP AREAS OVER NICKEL

	THESE DRAWINGS AND SPECIFICATIONS ARE THE PROPERTY OF NorComp AND SHALL NOT BE REPRODUCED, COPIED OR USED AS THE BASIS FOR THE MANUFACTURE OR SALE OF APPARATUS WITHOUT WRITTEN PERMISSION.	
	DRAWN: PAM JENKINS	DATE: 4-15-03
CHECKED:	DATE:	SCALE:
SHEET 1 OF 1	REV 0	DWG NO. 170-001-170-00X

NorComp